

HİDROLİK KASNAKLAR

HYDRAULIC SHEAVES

HK SERİSİ
HK SERIES



Ø240mm

HK SERİSİ
HK SERIES

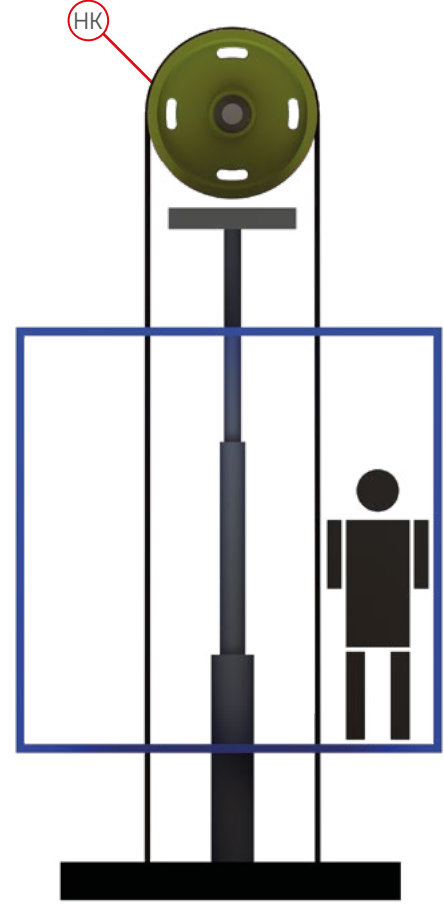


Ø320mm - Ø450mm Arası | Between

HK SERİSİ
HK SERIES

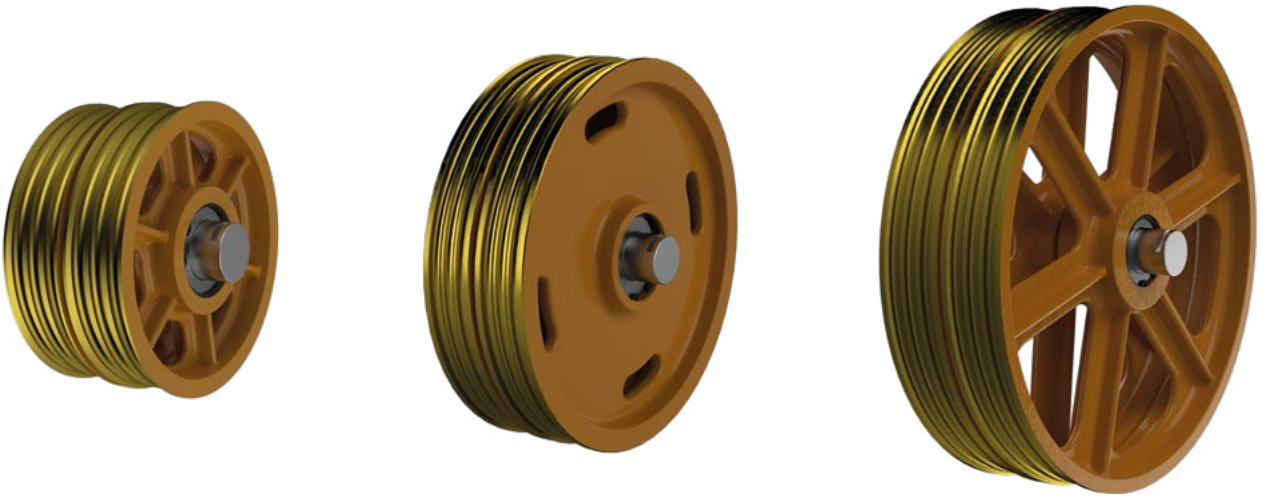


Ø480mm - Ø520mm Arası | Between



- Tek bir mil üzerinde iki adet kasnak mevcuttur. Aynı anda ayrı yönlere dönerek çalışmaktadır. Hidrolik asansörlerin piston üstü için tasarlanmıştır.
There are two pulleys on a single axle. At the same time working in different directions. They are designed for the top of the piston of hydraulic elevators.
- Kasnakların malzemesi, pik döküm GG25 – GG30 dır.
The material of the pulleys is cast iron GG25 - GG30.
- Standart mil ölçüleri ilgili tablolarda verilmiştir. Tablolarda verilen mil çapları değişmemekle birlikte, mil boyları ve kama ölçüleri isteğinize göre imal edilebilmektedir.
Standard shaft dimensions are given in the relevant tables. Although the axle diameters in the tables do not change, axle lengths and wedge dimensions can be manufactured according to your request.
- Miller sabitlenmiştir.
The axles are fixed.

Katalogumuzdan sayfa 110'den itibaren bulabilirsiniz
Please check page 110 from our catalogue



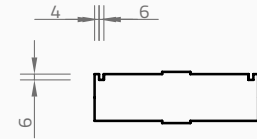
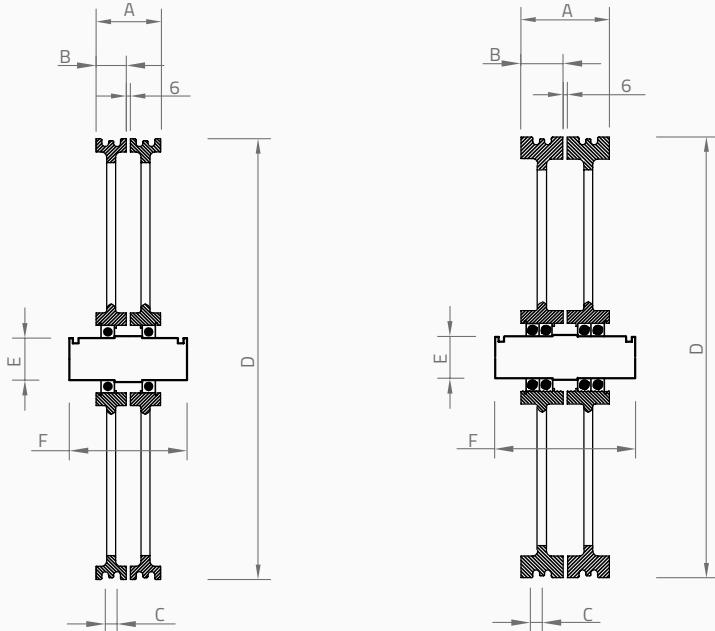
HK SERİSİ
HK SERIES

HİDROLİK KASNAKLARI
HYDRAULIC'S SHEAVES

HK SERİSİ HK SERIES

2+2 KANAL
2+2 GROOVES

SABİT MİL
FIXED AXLE

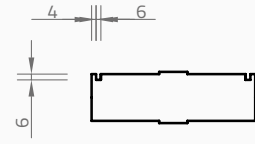
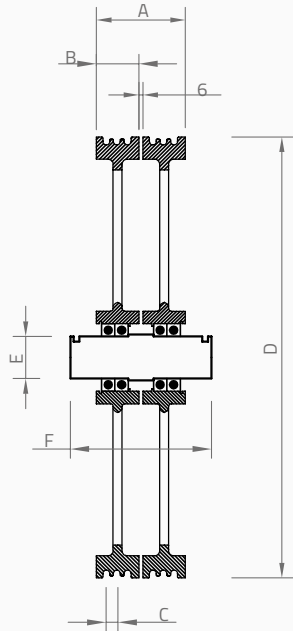


KASNAK ÇAPI NOMINAL DIAMETER (Ø mm)	KANAL SAYISI NUMBER OF GROOVES	HALAT ÇAPI ROPE DIAMETER (Ø mm)	HALAT MERKEZİ DISTANCE BETWEEN ROPES (mm)	TOPLAM GENİŞLİK TOTAL CROWN WIDTH (mm)	KASNAK GENİŞLİK CROWN WIDTH (mm)	MİL ÇAPI AXLE DIAMETER (Ø mm)	MİL BOYU AXLE LENGHT (mm)	RULMAN BALL BEARING	STATİK YÜK STATIC LOAD (kg)	ÜRÜN KODU PRODUCT CODE	AĞIRLIK WEIGHT (kg)
D			C	A	B	E	F				
240	2+2	6,5	11	78	36	50	175	2x6010 ZZ	1400	HK242-6,5	19
240	2+2	8	13	78	36	50	175	2x6010 ZZ	1400	HK242-8	19
320	2+2	6,5	11	78	36	50	175	2x6210 ZZ	2300	HK322-6,5	20
320	2+2	8	13	78	36	50	175	2x6210 ZZ	2300	HK322-8	20
320	2+2	10	17	78	36	50	175	2x6210 ZZ	2300	HK322-10	20
360	2+2	6,5	11	78	36	50	175	2x6210 ZZ	2300	HK362-6,5	22
360	2+2	8	13	78	36	50	175	2x6210 ZZ	2300	HK362-8	22
360	2+2	10	17	78	36	50	175	2x6210 ZZ	2300	HK362-10	22
400	2+2	6,5	11	78	36	50	175	2x6210 ZZ	2300	HK402-6,5	24
400	2+2	8	13	78	36	50	175	2x6210 ZZ	2300	HK402-8	24
400	2+2	10	17	78	36	50	175	2x6210 ZZ	2300	HK402-10	24
400	2+2	12	19	106	50	50	175	4x6210 ZZ	4600	HK402-12	35
450	2+2	8	13	78	36	50	175	2x6210 ZZ	2300	HK452-8	33
450	2+2	10	17	78	36	50	175	2x6210 ZZ	2300	HK452-10	33
450	2+2	12	19	106	50	50	175	4x6210 ZZ	4600	HK452-12	41
480	2+2	8	13	146	70	55	220	4x6211 ZZ	5600	HK482-8	52
480	2+2	10	17	146	70	55	220	4x6211 ZZ	5600	HK482-10	52
480	2+2	12	19	146	70	55	220	4x6211 ZZ	5600	HK482-12	52
520	2+2	10	17	146	70	55	220	4x6211 ZZ	5600	HK522-10	64
520	2+2	12	19	146	70	55	220	4x6211 ZZ	5600	HK522-12	64
520	2+2	13	20	146	70	55	220	4x6211 ZZ	5600	HK522-13	64

HK SERİSİ HK SERIES

2+3 KANAL
2+3 GROOVES

SABİT MİL
FIXED AXLE



KASNAK ÇAP NOMINAL DIAMETER (Ø mm)	KANAL SAYISI NUMBER OF GROOVES	HALAT ÇAP ROPE DIAMETER (Ø mm)	HALAT MERKEZİ DISTANCE BETWEEN ROPES (mm)	TOPLAM GENİŞLİK TOTAL CROWN WIDTH (mm)	KASNAK GENİŞLİK CROWN WIDTH (mm)	MİL ÇAP AXLE DIAMETER (Ø mm)	MİL BOYU AXLE LENGHT (mm)	RULMAN BALL BEARING	STATİK YÜK STATIC LOAD (kg)	ÜRÜN KODU PRODUCT CODE	AĞIRLIK WEIGHT (kg)
D			C	A	B	E	F				
240	2+3	6,5	11	106	50	50	175	4x6010 ZZ	2800	HK243-6,5	20
240	2+3	8	13	106	50	50	175	4x6010 ZZ	2800	HK243-8	20
320	2+3	6,5	11	106	50	50	175	4x6010 ZZ	2800	HK323-6,5	29
320	2+3	8	13	106	50	50	175	4x6010 ZZ	2800	HK323-8	29
320	2+3	10	16	106	50	50	175	4x6010 ZZ	2800	HK32-10	29
360	2+3	6,5	11	106	50	50	175	4x6010 ZZ	2800	HK363-6,5	33
360	2+3	8	13	106	50	50	175	4x6010 ZZ	2800	HK363-8	33
360	2+3	10	16	106	50	50	175	4x6010 ZZ	2800	HK363-10	33
400	2+3	6,5	11	106	50	50	175	4x6210 ZZ	4600	HK403-6,5	35
400	2+3	8	13	106	50	50	175	4x6210 ZZ	4600	HK403-8	35
400	2+3	10	16	106	50	50	175	4x6210 ZZ	4600	HK403-10	35
400	2+3	12	16	106	50	50	175	4x6210 ZZ	4600	HK403-12	35
450	2+3	8	13	106	50	50	175	4x6210 ZZ	4600	HK453-8	41
450	2+3	10	16	106	50	50	175	4x6210 ZZ	4600	HK453-10	41
450	2+3	12	16	106	50	50	175	4x6210 ZZ	4600	HK453-12	41
480	2+3	8	17	146	70	55	220	4x6211 ZZ	5600	HK483-8	52
480	2+3	10	19	146	70	55	220	4x6211 ZZ	5600	HK483-10	52
480	2+3	12	20	146	70	55	220	4x6211 ZZ	5600	HK483-12	52
520	2+3	10	17	146	70	55	220	4x6211 ZZ	5600	HK523-10	64
520	2+3	12	19	146	70	55	220	4x6211 ZZ	5600	HK523-12	64
520	2+3	13	20	146	70	55	220	4x6211 ZZ	5600	HK523-13	64